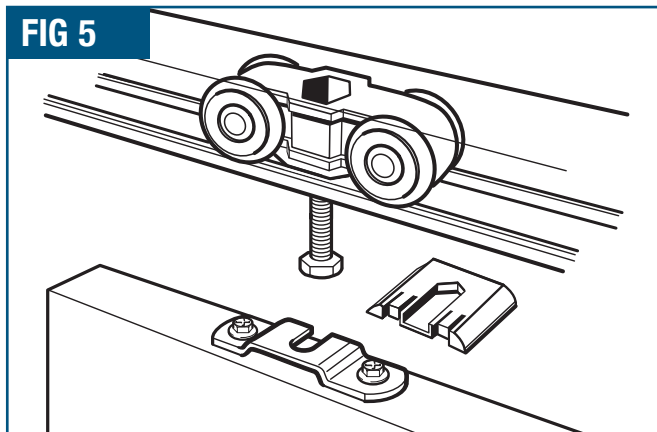


INSTALLATION CONTINUED

FIG 5



Step 7. Position the cavity pocket side trolley approximately 100mm in from the pocket.

Step 8. Lift the door and slide the set screw under bracket. (See Fig 5)

Step 9. Slide door partially into pocket and fit second trolley as in step 8.

Step 10. Adjust door height and plumb to closing jamb stile by turning bolt head with spanner provided. Top of door should finish 8-9mm from underside face of the finished plaster.

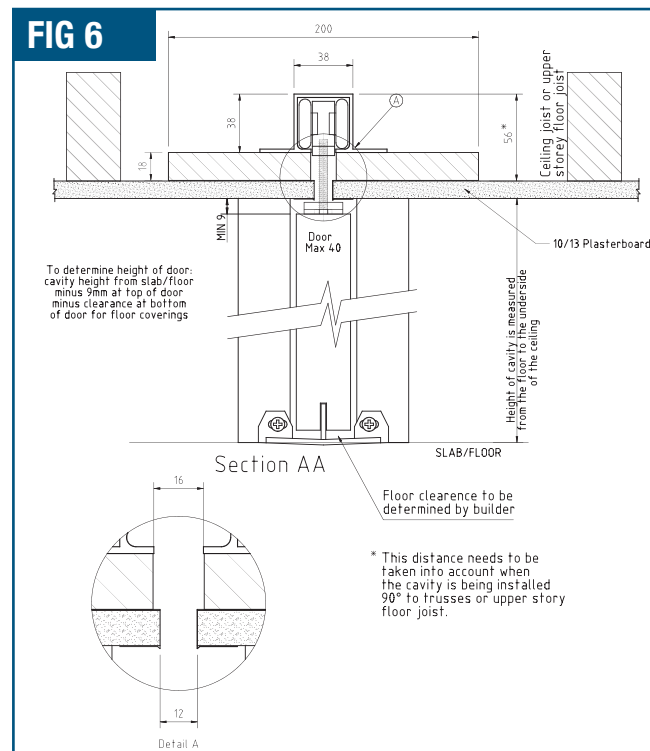
Step 11. Slide door guide along groove in bottom of door, loosely screw to split jamb, centre door in pocket and then fully tighten screws.

Step 12. After final adjustment, using the wedge remover, insert the door plate wedges through the door plates ensuring the lugs are hard against the door plate edge. (See Fig 5)

Double Units - are supplied with a one piece head and track and are fitted in a similar manner to single units.

Two door stops are provided and should be fitted to the track so that the doors do not slam when closed. Refer to Step 2A and insert at same time as trolleys.

FIG 6



Removing Door. Push down on the lugs on the door plate wedges using the wedge remover supplied. Remove the door plate wedges from the door plate. Wind down the set screws on the trolleys using the spanner provided until there is enough clearance to clear the plaster lining. Remove the door from the trolley closest to the closing jamb stile and move door outwards. Use the same procedure for the trolley closest to the pocket. Trolleys can be removed from the opening in the track located inside the pocket using the special tool supplied.

Finishing. Ensure fixing screws from the plasterboard do not penetrate through the pocket spreaders. Ensure the head of the unit is not load bearing

DESIGN REGISTRATION NUMBERS: 13246/2006, 12446/2011

Corinthian Doors are available from over 2,500 resellers nationally visit our website: www.corinthian.com.au or call Corinthian for your nearest stockist

© Copyright reserved 27/07/2016 Corinthian Doors



slimline 9000
ceiling height cavity unit

slimline 9000

ceiling height cavity unit

Thank you for purchasing the Slimline 9000 Ceiling Height Cavity Door Unit.

Please follow these instructions carefully. Proper installation and maintenance will bring you years of trouble-free use.

PLEASE NOTE THE FOLLOWING IMPORTANT INFORMATION:

Single cavity units have a door weight limit of 125kg. Double cavity units have a door weight limit of 85kg each door. Cavity units are not load bearing. When installing double cavity units it is important that the track is fixed to a structural member. Screw through centre of track using the holes provided. Care should be taken when installing the cavity unit into wall tiled areas. Please consult with the substrate/tile manufacturer as to their recommended fixing and tiling methods in accordance with the relevant standards.

CONTENTS:

Check that you have all the contents and tools to install your Slimline 9000 Ceiling Height Cavity Door Unit.

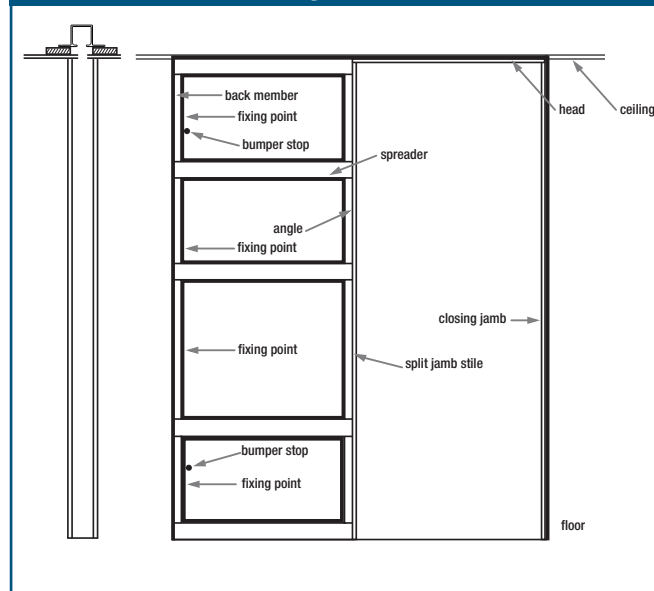
The Slimline 9000 Cavity unit requires the same fittings as the Slimline 6000 Cavity unit. Fittings are universal for both systems, however, the add-on pack (included) is required for the Slimline 9000 Cavity unit to complete the installation.

Contents include:

- 2 x trolleys with 1/4" hex nut and screw set
- 2 x door plates
- 1 x door guide
- 1 x door plate wedge remover
- 2 x door plate wedges
- 1 x O.E. spanner
- 1 x trolley removing tool
- 4 x 30mm hex head screws (door plate screws)
- 2 x 8g pan head screws (door guide screws)
- 10 x 50mm 8g screws (head to pocket fixing)
- 1 x concrete nail (floor fixing)

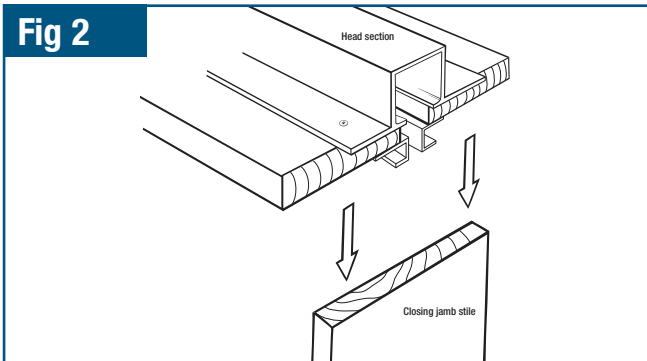
INSTALLING YOUR SLIMLINE 9000 CAVITY DOOR UNIT

Slimline 9000 Cavity Elevation Diagram 1



Step 1. Locate the cutout on the track wings onto the back member. Ensure the two nylon lugs on the track wings are located between the galvanised angle to the pocket. Screw the track assembly to the pocket using the 50mm 8g wood screws supplied.

Step 2. Screw closing jamb stile to head section, fixing through aluminium track into the closing jamb stile. (See Fig 2)

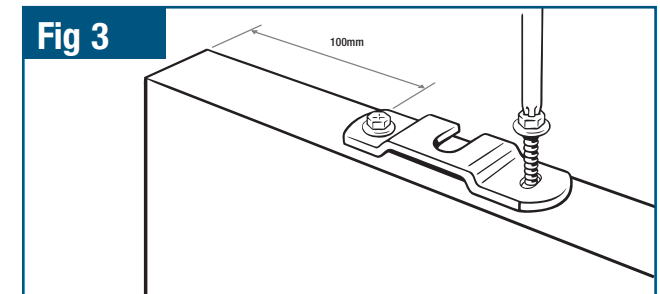


Step 2A. Slide both trolleys into track using the slot located in the track inside the cavity pocket.

Step 3. Stand unit in wall opening. Pack, plumb and level unit and fix securely into position. It is important that the back member of the cavity pocket is installed by packing and fixing as close as possible to the two bumper stops. A minimum of four fixings are required. (See Slimline 9000 Cavity Elevation - Diagram 1)

Step 4. Fix cavity pocket to floor using concrete nail into fixing plate attached to the bottom of cavity. Do not remove the temporary spacing blocks until the wall sheeting has been completed.

Fig 3



Step 5. Fix the door plates to the top of the door 100mm from each edge. The door plates must be in the middle of the top rail with both slots facing the same way. (See Fig 3)

Step 6. Wind the set screw down to give a clearance of approximately 30mm from the underside of the trolley to the head of the set screw. (See Fig 4)

Fig 4

